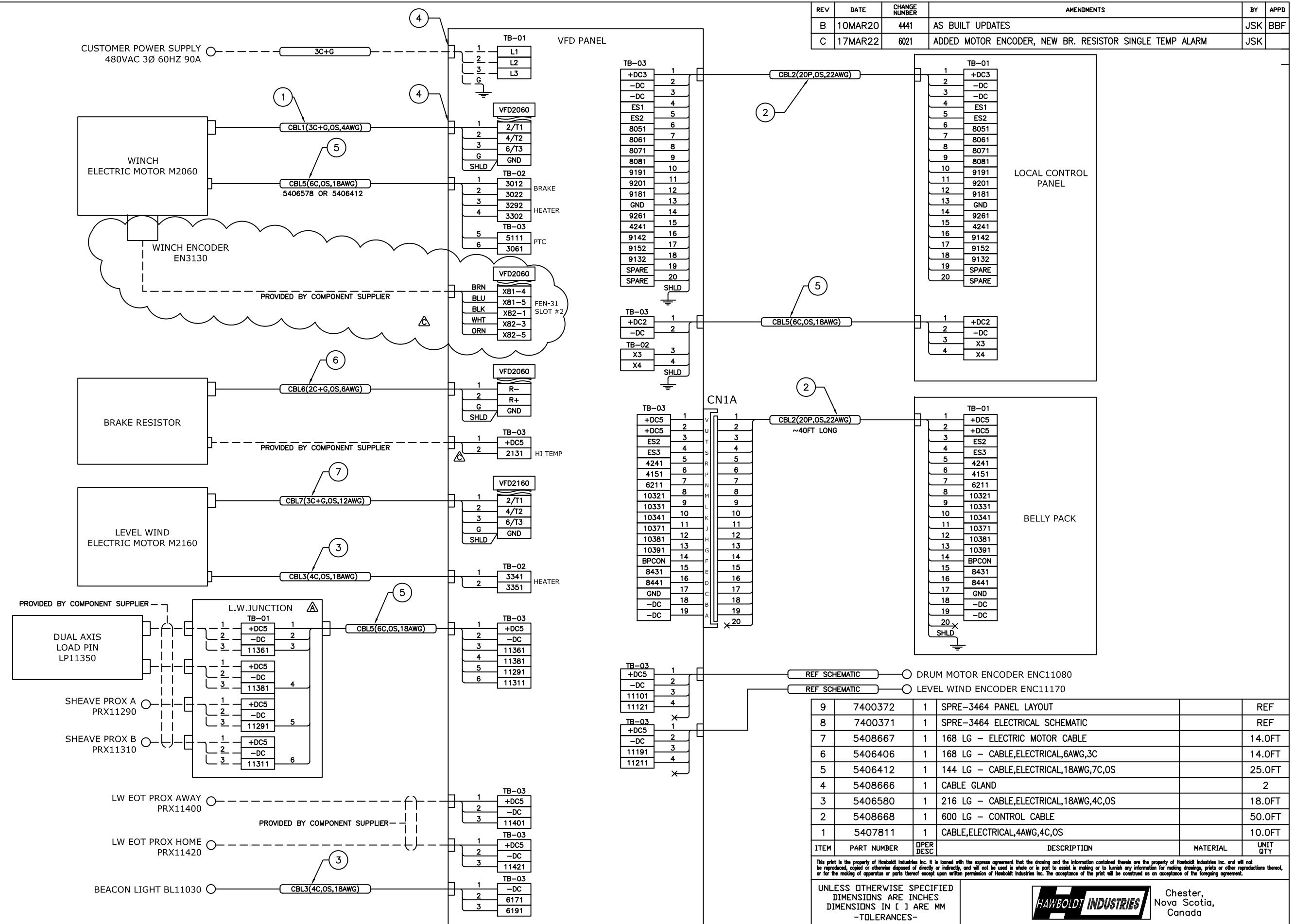


REV	DATE	CHANGE NUMBER	AMENDMENTS	BY	APPD
B	10MAR20	4441	AS BUILT UPDATES	JSK	BBF
C	17MAR22	6021	ADDED MOTOR ENCODER, NEW BR. RESISTOR SINGLE TEMP ALARM	JSK	



ITEM	PART NUMBER	QTY	DESCRIPTION	MATERIAL	UNIT QTY
9	7400372	1	SPRE-3464 PANEL LAYOUT		REF
8	7400371	1	SPRE-3464 ELECTRICAL SCHEMATIC		REF
7	5408667	1	168 LG - ELECTRIC MOTOR CABLE		14.0FT
6	5406406	1	168 LG - CABLE,ELECTRICAL,6AWG,3C		14.0FT
5	5406412	1	144 LG - CABLE,ELECTRICAL,18AWG,7C,OS		25.0FT
4	5408666	1	CABLE GLAND		2
3	5406580	1	216 LG - CABLE,ELECTRICAL,18AWG,4C,OS		18.0FT
2	5408668	1	600 LG - CONTROL CABLE		50.0FT
1	5407811	1	CABLE,ELECTRICAL,4AWG,4C,OS		10.0FT

This print is the property of Hawboldt Industries Inc. It is loaned with the express agreement that the drawing and the information contained therein are the property of Hawboldt Industries Inc. and will not be reproduced, copied or otherwise disposed of directly or indirectly, and will not be used in whole or in part to assist in making or to furnish any information for making drawings, prints or other reproductions thereof, or for the making of apparatus or parts thereof except upon written permission of Hawboldt Industries Inc. The acceptance of the print will be construed as an acceptance of the foregoing agreement.

UNLESS OTHERWISE SPECIFIED DIMENSIONS ARE INCHES DIMENSIONS IN [] ARE MM -TOLERANCES-

A) ANGULAR	± 1/2°
B) DECIMAL	± .06
(ONE) X	± .02
(TWO) .XX	± .01
(THREE) .XXX	± .01
C) FRACTIONAL	± 1/32
1. GENERAL	± 1/32
2. SAWING, FLAME CUTTING, SHEARING & BREAKING	± 1/16
3. WELDING	± 1/8

MATL CERT	N/R	TITLE	SPRE-3464 INTERCONNECT DIAGRAM	
MATL TEST	N/R	NEXT ASSEMBLY	DERIVED FROM	
WELD TEST	N/R	FIRST USED	1942	SHEET 1 OF 1
EST LBS	N/A	DRAWN	JSK	CHECKED
ACT LBS	N/A	DATE	10OCT19	APPROVED
		SCALE	1/1	JSK

Chester, Nova Scotia, Canada

7400373

REV C

NOTES:
 - C = CONDUCTORS
 - P = TWISTED PAIRS
 - OS = OVERALL SHIELD
 - NUMBER OF CONDUCTORS PER CABLE ARE MINIMUM
 - CABLE AWG SIZES ARE MINIMUM
 - CABLE LENGTHS ARE APPROXIMATE
 - REFER TO ELECTRICAL SCHEMATIC FOR WIRING DETAILS

X SECURE EXTRA CABLES IN CONDUIT
 □ CABLE GLAND/CONDUIT FITTING
 — CABLE & FITTINGS SUPPLIED BY HAWBOLDT
 - - - CABLE & FITTINGS SUPPLIED BY CUSTOMER